

SECTION 16

Twin valves - EN 488

Reduced bore

BROEN
BALLOMAX®

Designed to last

Twin valve, Pre-insulated, class 3 - DN 25 - 200, PN 25

Type 67102 - Reduced bore with alarm outlet

Welding × Welding

Pre-insulated isolating valve for twin pipes, underground service according to EN488, with four DN 40 service valves - reduced bore

Materials

See next page.

Applications

Pre-Isolating valve for heating systems, district heating, cooling and industrial purposes.

Media

Water, air and other media not decomposing the steel. If in doubt, please contact BROEN BALLOMAX® Sales Department.

Operation

The following operating devices are available to order:

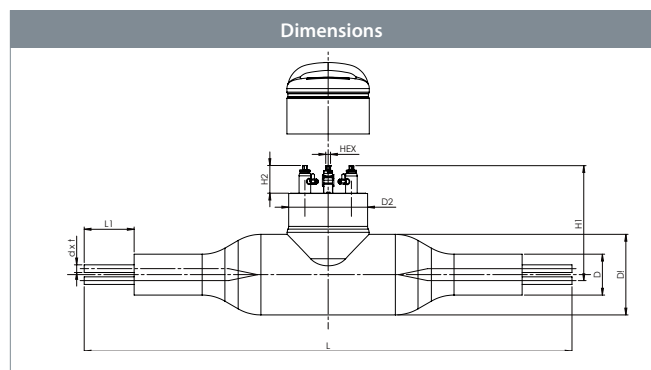
- Universal allen key HEX 27 and HEX 19
- BROEN Mobile actuator - recommended for DN 125 up to DN 200

Approvals and certificates

BROEN is certified according to ISO 9001 and environmentally certified according to ISO 14001. BROEN BALLOMAX® Ball valves are approved according to the requirements of Pressure Equipment Directive (PED 2014/68/EU - module H). All valve are tested and subjected to a 100% quality control. The 3.1 certificate is available upon request.

Notice

All twin valves are delivered with alarm wire (Nordic).






DN	BROEN No.	Bore	net Weight kg	All dimensions in mm									
				L	L1	D	D1	D2	H1	H2	d	t	HEX
25*	67102025A667722	20	38	2150	220	180	355	348	507	123	33,7	2,6	19
32*	67102032A667722	25	42	2150	220	200	355	348	516	128	42,4	2,9	19
40	67102040A667722	32	50	2150	220	200	355	348	528	144	48,3	2,9	19
50	67102050A667722	40	58	2150	220	250	355	348	540	143	60,3	3,2	19
65	67102065A667722	50	79	2350	220	280	450	426	554	146	76,1	2,9	19
80	67102080A667722	65	102	2600	220	315	450	426	572	135	88,9	3,6	19
100	67102100A667722	80	154	2900	220	400	560	527	596	142	114,3	4,0	27
125	67102125A667722	100	203	3300	220	500	560	533	631	137	139,7	3,6	27
150	67102150A667722	125	352	4200	220	560	630	595	669	142	168,3	4,0	27/70
200	67102200A667722	150	684	5900	220	710	800	665	882	135	219,1	4,5	50/90

*Delivered with four DN 25 service valves (Ø33,7) - all other dimençons delivered with DN 40 service valves.

Twin valve, Pre-insulated, class 3 - DN 25 - 200, PN 25

Type 67102 - Reduced bore with alarm outlet



Accessories	BROEN No.	Dimension	Description
	3723S60		Universal allen key with HEX 27 mm and HEX 19 mm for both isolating and service valves.
	66361100 060	DN 100 - 150	BROEN gear - Mobile actuator Type MP II with adapter HEX 27 mm and HEX 70 mm
	66361250 070	DN 200	BROEN gear - Mobile actuator Type MP III with adapter HEX 50 mm and HEX 90 mm

Twin valve, Pre-insulated, class 2 - DN 25 - 200, PN 25

Type 67102 - Reduced bore with alarm outlet

Welding × Welding

Pre-insulated isolating valve for twin pipes, underground service according to EN488, with four DN 40 service valves - reduced bore

Materials

See next page.

Applications

Pre-Isolating valve for heating systems, district heating, cooling and industrial purposes.

Media

Water, air and other media not decomposing the steel. If in doubt, please contact BROEN BALLOMAX® Sales Department.

Operation

The following operating devices are available to order:

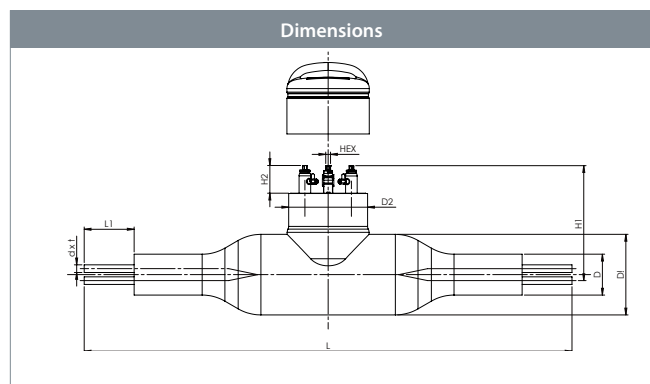
- Universal allen key HEX 27 and HEX 19
- BROEN Mobile actuator - recommended for DN 125 up to DN 200

Approvals and certificates

BROEN is certified according to ISO 9001 and environmentally certified according to ISO 14001. BROEN BALLOMAX® Ball valves are approved according to the requirements of Pressure Equipment Directive (PED 2014/68/EU - module H). All valve are tested and subjected to a 100% quality control. The 3.1 certificate is available upon request.

Notice

All twin valves are delivered with alarm wire (Nordic).






DN	BROEN No.	Bore	Kvs	net Weight kg	All dimensions in mm									
					L	L1	D	D1	D2	H1	H2	d	t	HEX
25*	67102025A669922	20		37	2150	220	160	355	348	508	124	33,7	2,6	19
32*	67102032A669922	25		42	2150	220	180	355	348	516	128	42,4	2,9	19
40	67102040A669922	32		48	2150	220	180	355	348	528	144	48,3	2,9	19
50	67102050A669922	40		57	2150	220	225	355	348	540	143	60,3	3,2	19
65	67102065A669922	50		78	2350	220	250	450	426	554	146	76,1	2,9	19
80	67102080A669922	65		101	2600	220	280	450	426	572	135	88,9	3,6	19
100	67102100A669922	80		153	2900	220	355	560	527	596	142	114,3	4,0	27
125	67102125A669922	100		202	3300	220	450	560	533	631	137	139,7	3,6	27
150	67102150A669922	125		316	4200	220	500	630	595	669	142	168,3	4,0	27/70
200	67102200A669922	150		681	5900	220	630	800	665	882	135	219,1	4,5	50/90

*Delivered with four DN 25 service valves (Ø33,7) - all other dimençons delivered with DN 40 service valves.

Twin valve, Pre-insulated, class 2 - DN 25 - 200, PN 25

Type 67102 - Reduced bore with alarm outlet



Accessories	BROEN No.	Dimension	Description
	3723S60		Universal allen key with HEX 27 mm and HEX 19 mm for both isolating and service valves.
	66361100 060	DN 100 - 150	BROEN gear - Mobile actuator Type MP II with adapter HEX 27 mm and HEX 70 mm
	66361250 070	DN 200	BROEN gear - Mobile actuator Type MP III with adapter HEX 50 mm and HEX 90 mm

Twin valve, Pre-insulated, class 3 - DN 25 - 200, PN 25

Type 67102 - Reduced bore without alarm outlet

Welding × Welding

Pre-insulated isolating valve for twin pipes, underground service according to EN488, with four DN 40 service valves - reduced bore

Materials

See next page.

Applications

Pre-Isolating valve for heating systems, district heating, cooling and industrial purposes.

Media

Water, air and other media not decomposing the steel. If in doubt, please contact BROEN BALLOMAX® Sales Department.

Operation

The following operating devices are available to order:

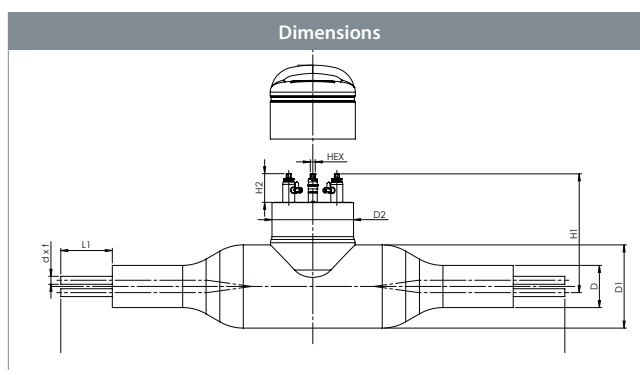
- Universal allen key HEX 27 and HEX 19
- BROEN Mobile actuator - recommended for DN 125 up to DN 200

Approvals and certificates

BROEN is certified according to ISO 9001 and environmentally certified according to ISO 14001. BROEN BALLOMAX® Ball valves are approved according to the requirements of Pressure Equipment Directive (PED 2014/68/EU - module H). All valve are tested and subjected to a 100% quality control. The 3.1 certificate is available upon request.

Notice

All twin valves are delivered with alarm wire (Nordic).






DN	BROEN No.	Bore	Kvs	net Weight kg	All dimensions in mm									
					L	L1	D	D1	D2	H1	H2	d	t	HEX
25*	67102025 667722	20		38	2150	220	180	355	348	507	123	33,7	2,6	19
32*	67102032 667722	25		42	2150	220	200	355	348	516	128	42,4	2,9	19
40	67102040 667722	32		50	2150	220	200	355	348	528	144	48,3	2,9	19
50	67102050 667722	40		58	2150	220	250	355	348	540	143	60,3	3,2	19
65	67102065 667722	50		79	2350	220	280	450	426	554	146	76,1	2,9	19
80	67102080 667722	65		102	2600	220	315	450	426	572	135	88,9	3,6	19
100	67102100 667722	80		154	2900	220	400	560	527	596	142	114,3	4,0	27
125	67102125 667722	100		203	3300	220	500	560	533	631	137	139,7	3,6	27
150	67102150 667722	125		352	4200	220	560	630	595	669	142	168,3	4,0	27/70
200	67102200 667722	150		684	5900	220	710	800	665	882	135	219,1	4,5	50/90

*Delivered with four DN 25 service valves (Ø33,7) - all other dimensonns delivered with DN 40 service valves.

Twin valve, Pre-insulated, class 3 - DN 25 - 200, PN 25

Type 67102 - Reduced bore without alarm outlet



Accessories	BROEN No.	Dimension	Description
	3723S60		Universal allen key with HEX 27 mm and HEX 19 mm for both isolating and service valves.
	66361100 060	DN 100 - 150	BROEN gear - Mobile actuator Type MP II with adapter HEX 27 mm and HEX 70 mm
	66361250 070	DN 200	BROEN gear - Mobile actuator Type MP III with adapter HEX 50 mm and HEX 90 mm

Twin valve, Pre-insulated, class 2 - DN 25 - 200, PN 25

Type 67102 - Reduced bore without alarm outlet

Welding × Welding

Pre-insulated isolating valve for twin pipes, underground service according to EN488, with four DN 40 service valves - reduced bore

Materials

See next page.

Applications

Pre-Isolating valve for heating systems, district heating, cooling and industrial purposes.

Media

Water, air and other media not decomposing the steel. If in doubt, please contact BROEN BALLOMAX® Sales Department.

Operation

The following operating devices are available to order:

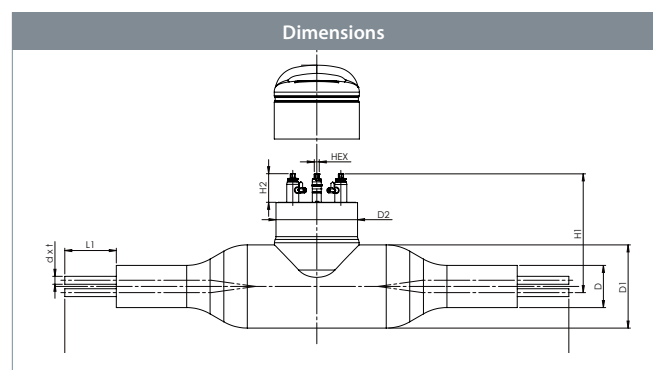
- Universal allen key HEX 27 and HEX 19
- BROEN Mobile actuator - recommended for DN 125 up to DN 200

Approvals and certificates

BROEN is certified according to ISO 9001 and environmentally certified according to ISO 14001. BROEN BALLOMAX® Ball valves are approved according to the requirements of Pressure Equipment Directive (PED 2014/68/EU - module H). All valve are tested and subjected to a 100% quality control. The 3.1 certificate is available upon request.

Notice

All twin valves are delivered with alarm wire (Nordic).






DN	BROEN No.	Bore	Kvs	net Weight kg	All dimensions in mm									
					L	L1	D	D1	D2	H1	H2	d	t	HEX
25*	67102025 669922	20		37	2150	220	160	355	348	508	124	33,7	2,6	19
32*	67102032 669922	25		42	2150	220	180	355	348	516	128	42,4	2,9	19
40	67102040 669922	32		48	2150	220	180	355	348	528	144	48,3	2,9	19
50	67102050 669922	40		57	2150	220	225	355	348	540	143	60,3	3,2	19
65	67102065 669922	50		78	2350	220	250	450	426	554	146	76,1	2,9	19
80	67102080 669922	65		101	2600	220	280	450	426	572	135	88,9	3,6	19
100	67102100 669922	80		153	2900	220	355	560	527	596	142	114,3	4,0	27
125	67102125 669922	100		202	3300	220	450	560	533	631	137	139,7	3,6	27
150	67102150 669922	125		316	4200	220	500	630	595	669	142	168,3	4,0	27/70
200	67102200 669922	150		681	5900	220	630	800	665	882	135	219,1	4,5	50/90

*Delivered with four DN 25 service valves (Ø33,7) - all other dimenons delivered with DN 40 service valves.

Twin valve, Pre-insulated, class 2 - DN 25 - 200, PN 25

Type 67102 - Reduced bore without alarm outlet



Accessories	BROEN No.	Dimension	Description
	3723S60		Universal allen key with HEX 27 mm and HEX 19 mm for both isolating and service valves.
	66361100 060	DN 100 - 150	BROEN gear - Mobile actuator Type MP II with adapter HEX 27 mm and HEX 70 mm
	66361250 070	DN 200	BROEN gear - Mobile actuator Type MP III with adapter HEX 50 mm and HEX 90 mm

Universal allen key

Type 3723S60 - Reduced bore

Universal allen key

The allen Key is equipped with HEX 19 mm and HEX 27 mm



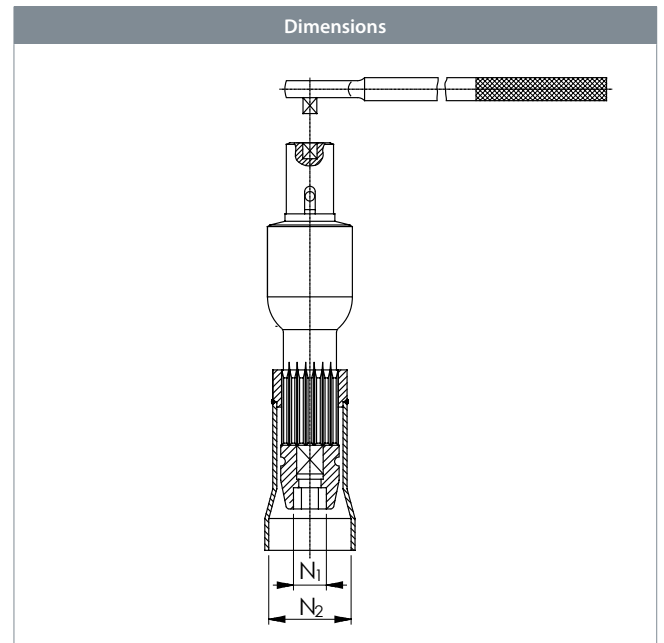
BROEN No.
3723S60

BROEN-Gear, Mobile actuator - DN 150 - 200

Type 66361 - Reduced bore

BROEN-Gear, Mobile actuator

Can be used together with flexible extension with stainless steel protective pipe.



DN	Type	BROEN No.	N1 - mm	N2 - mm	Max. moment - Nm
150	MP II	66361100 060	27	70	800
200	MP II	66361250 070	50	90	1800

BROEN BALLOMAX® Repair set - DN 25 - 200

Type 600... - **Reduced bore**

BROEN BALLOMAX® Repair set

Repair set, contains packing set for stem and tools.



DN - HEX with backstop	Operation device	BROEN No.
25 - 80	HEX 19 mm	600262
100	HEX 27/70 mm	600263
125 - 150	HEX 27/70 mm	600264
200	HEX 50/90 mm	600269